



Cat. No. 0112B and 0309B Series White All-Round Lights
Cat. No. 0112RB and 0309RB Series Red All-Round Lights
Cat. No. 0112GB and 0309GB Series Green All-Round Lights
Cat. No. 0112MB and 0309MB Series Yellow All-Round Lights

The above lights are designed for use on sail or power driven vessels under 20 meters (65.6 ft.) in length, operating on a nominal 12 volt or 32 volt system. In order to comply with the '72 COLREGS and the U.S. Inland Rules, the following must be adhered to:

MOUNTING INFORMATION

Read all instructions before proceeding.

- 1). For proper light selection, positioning and configuration, refer to A.B.Y.C. Standard A-16*, the '72 COLREGS*, and the U.S. Inland Rules*.
- 2). These lights are designed to be mounted on a horizontal surface (Cat. No. 0112 Series) or on a vertical, 1/2 threaded pipe (Cat. No. 0309 Series).
- 3). Horizontal rotation of these lights is unimportant, as all-round lights have a 360° horizontal arc of visibility.
- 4). Cat. No. 0112 Series only:

Unscrew mounting base from light body. Using base as a template, mark the mounting surface and drill to accommodate four #8 oval-head screws. Then drill an electrical supply clearance hole located approximately in the center of the four mounting holes on the mounting surface. Attach supply connections to the light and reassemble, making sure to wire in accordance with both A.B.Y.C. Standard E-9* and U.S. Coast Guard Safety Standards for Boat Electrical Systems (33 CFR 183)*. Fasten light to the mounting surface.

- 5). Cat. No. 0309 Series only:

Make sure to wire in accordance With A.B.Y.C. Standard E-9* and U.S. Coast Guard Safety Standards for Boat Electrical Systems (33 CFR 183)*. Disassemble the light. Run the supply wire out of the top of the mounting pipe and through the light body. Screw the body onto the mounting pipe, and seal the pipe connection with compound with Teflon tape. Attach supply connections to the socket and reassemble the light. (This method prevents twisting the wire inside the pipe when attaching the light).

*the above referenced standards can be obtained from:

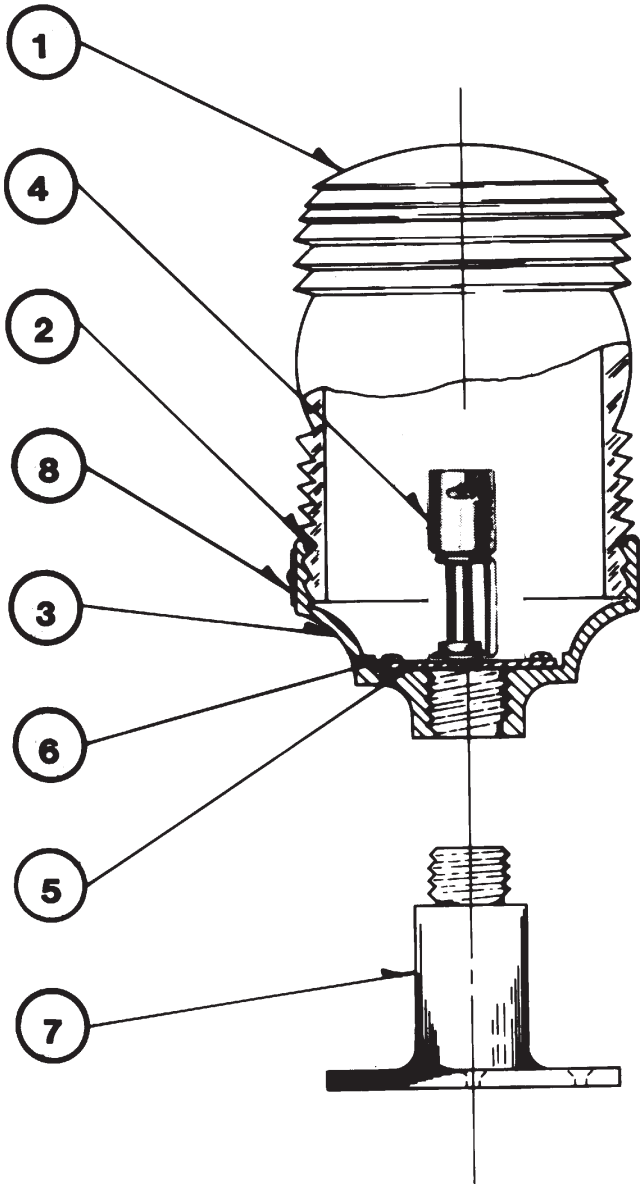
- (1). American Boat & Yacht Council, Inc.
613 Third Street, Suite 10
Annapolis, MD 21403
- (2). U.S. Coast Guard
Washington, D.C. 20593
(or your local C.G. office)

12/08
0112INS1

PERKO, INC.
16490 N.W. 13th Avenue
Miami, FL 33169-5707
www.perko.com

BULB DATA FOR CAT. NOS. 0112B AND 0309B SERIES LIGHTS				
CATALOG NUMBERS		VISIBILITY MILES	12 VOLT BULB	32 VOLT BULB
0112B00CHR 0112B00PLB	0309B00CHR 0309B00PLB	2	0340005FRD	0340011FRD
0112RBOCHR 0112RB0PLB	0309RB0CHR 0309RB0PLB	2	0340006FRD	0340012FRD
0112GB0CHR 0112GB0PLB	0309GB0CHR 0309GB0PLB	2	0340006FRD	0340012FRD
0112MB0CHR 0112MB0PLB	0309MB0CHR 0309MB0PLB	2	0340005FRD	0340011FRD

PERKO®



NO.	NAME OF PIECE	QTY.	MATERIAL	SIZE & SPECIFICATION
1	LENS	1	POLYCARB.	CAT. NO. 0106 (SEE NOTE #1)
2	O-RING	1	NEOPRENE	2-3/4" X 1/8"
3	BODY	1	CAST BRONZE	TAPPED FOR 1/2" PIPE
4	SOCKET	1		CAT. NO. 0276002
5	SOCKET ADAPTER	1	BRASS	
6	SOCKET ADAPTER SCREWS	2	BRASS	6 X 32
7	BASE (CAT. NO. 0112 SERIES ONLY)	1	BRONZE	
8	CERTIFICATION PLATE	1	BRASS	NOT AVAILABLE AS REPLACEMENT PART

NOTES

1). LENS	American Made Fresnel, 360°	CAT. NO.
RED	- ALL-ROUND	0106000RED
CLEAR	- ALL-ROUND	0106000WHT
GREEN	- ALL-ROUND	0106000GRN
YELLOW	- ALL-ROUND	0106000YLW
2). WEIGHT - CAT. NO. 0112 SERIES 2 lbs. - 7 ozs. & CAT. NO. 0309 SERIES 1 lb. - 12 ozs.		

CAT. NOS.	DESCRIPTION	VISIBILITY ARC	VISIBILITY MILES
0112A00PLB 0309A00PLB 0112A00CHR 0309A00CHR	WHITE ALL-ROUND LIGHT	360°	2
0112RA0PLB 0309RA0PLB 0112RA0CHR 0309RA0CHR	RED ALL-ROUND LIGHT	360°	2
0112GA0PLB 0309GA0PLB 0112GA0CHR 0309GA0CHR	GREEN ALL-ROUND LIGHT	360°	2
0112MA0PLB 0309MA0PLB 0112MA0CHR 0309MA0CHR	YELLOW ALL-ROUND LIGHT	360°	2

LAMP DATA: THESE ARE SPECIAL NAVIGATION LAMPS, DOUBLE CONTACT BAYONET BASE, C-8 FILAMENT, CLEAR, 1-3/8 L.C.L., AND MUST BE USED TO MEET THE 1972 COLREGS.

CAT. NO.	VOLTAGE	WATTAGE
0374001CLR	12	30
0374002CLR	24	30
0374003CLR	32	30
0374004CLR	120	30

THESE NAVIGATION LIGHTS MEET U.S. COAST GUARD REQUIREMENTS UNDER THE 1972 COLREGS AND U.S. INLAND RULES, AND ARE CLASSIFIED BY UNDERWRITERS LABORATORIES U.S. STANDARD 1104.

PERKO®		
16490 N.W. 13th Avenue		Miami, FL 33169-5707
Date: 5-16-84		Drawn By: D. Beutler
Scale: None		Revised: 11-21-03
CAT. NOS. 0112 & 0309 "A" SERIES ALL-ROUND NAVIGATION LIGHTS		



NAVIGATION LIGHT CERTIFICATE OF COMPLIANCE

This navigation light has been tested and classified by UNDERWRITERS' LABORATORIES, INC. (U.L.) in accordance with the '72 COLREGS and the U.S. INLAND NAVIGATION RULES ACT OF 1980. When properly installed, and fitted with the correct lamp, this light is approved by the U.S. Coast Guard for use aboard U.S. Coast Guard inspected vessels. This certification is also accepted by other inspecting authorities. An identification plate attached to the light provides lamp replacement and official certification information.

Upon installation, record information below from the identification plate, as applicable to the class of vessel on which the light is to be fitted.

Type of Light All-Round Light

Cat. No. _____
(Cat. No. 0112 RAO PLB, 0309 GAO CHR, etc.)

D.O.M. No. _____
(Die Stamped)

Vessel Length _____
(20 to 50 meters)

Replacement Lamp _____
Cat No. of lamp

Date of Installation _____

Vessel Identification _____

12/08
0112INS2

PERKO, INC.
16490 N.W. 13th Avenue
Miami, FL 33169-5707
www.perko.com